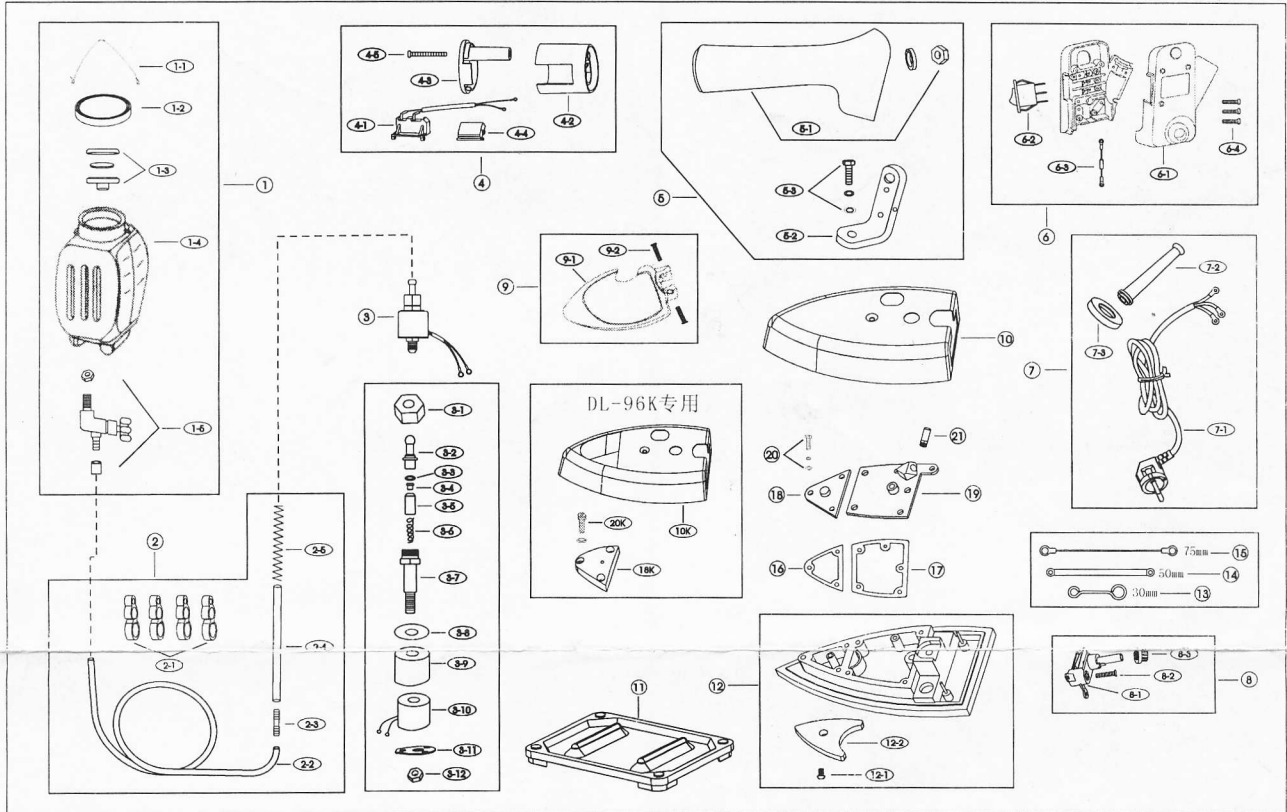


# GOLD EAGLE

## INDUSTRIAL ELECTRIC STEAM IRON

MODELS: DL-96/96K

### Exploded View



### PARTS LIST OF DL-96/96K

PART NO.	NAME	PART NO.	NAME	PART NO.	NAME	PART NO.	NAME
1	Water container set	3-5	Plunger	5-3	Screw module (8×20mm)	10	Ferrous outer shell
1-1	Hanger of water container	3-6	Plunger spring	6	Main switch ass' y	10k	Ferrous outer shell
1-2	Water container cap	3-7	Valve cylinder	6-1	Cover	11	Heat insulation board
1-3	Strainer cap set	3-8	Name plate for coil	6-2	On/off switch	12	Sole plate ass' y
1-4	Water container	3-9	Coil protector	6-3	Fuse	12-1	Screw (6×8mm)
1-5	Coke set	3-10	Solenoid coil	6-4	Screw (4×18mm)	12-2	Lead the plank
2	Hose set	3-11	Washer for coil	7	Power cord ass' y	13	Copper line (30mm)
2-1	The s form plastics buttons up	3-12	Nut for coil	7-1	Power cord	14	Lead wire (50mm)
2-2	P.V.C. hose	4	Steam switch assemble	7-2	Cord bushing	15	Lead wire (75mm)
2-3	Deal with contact	4-1	Steam switch	7-3	The turn of iron	16	Seal completely turn (front)
2-4	Rubber hose	4-2	Steam switch outer shell	8	Thermostat ass' y	17	Seal completely turn (hind)
2-5	Spring	4-3	Outer shell cover	8-1	Thermostat	18	Aluminum cover plank (front)
3	Solenoid valve ass' y	4-4	Steam switch button	8-2	Screw (4×20mm)	18k	Aluminum cover plank (front)
3-1	Cover nut	4-5	Screw	8-3	Knob of thermostat	19	Aluminum cover plank (hind)
3-2	Nipple	5	Hand handle module	9	Iron cover ass' y	20	Screw (6×18mm)
3-3	Nipple packing	5-1	Hand handle	9-1	Iron cover	20k	Screw (6×16mm)
3-4	Plunger packing	5-2	Prop up the shelf	9-2	Screw (4×16mm)	21	The pipe for into water