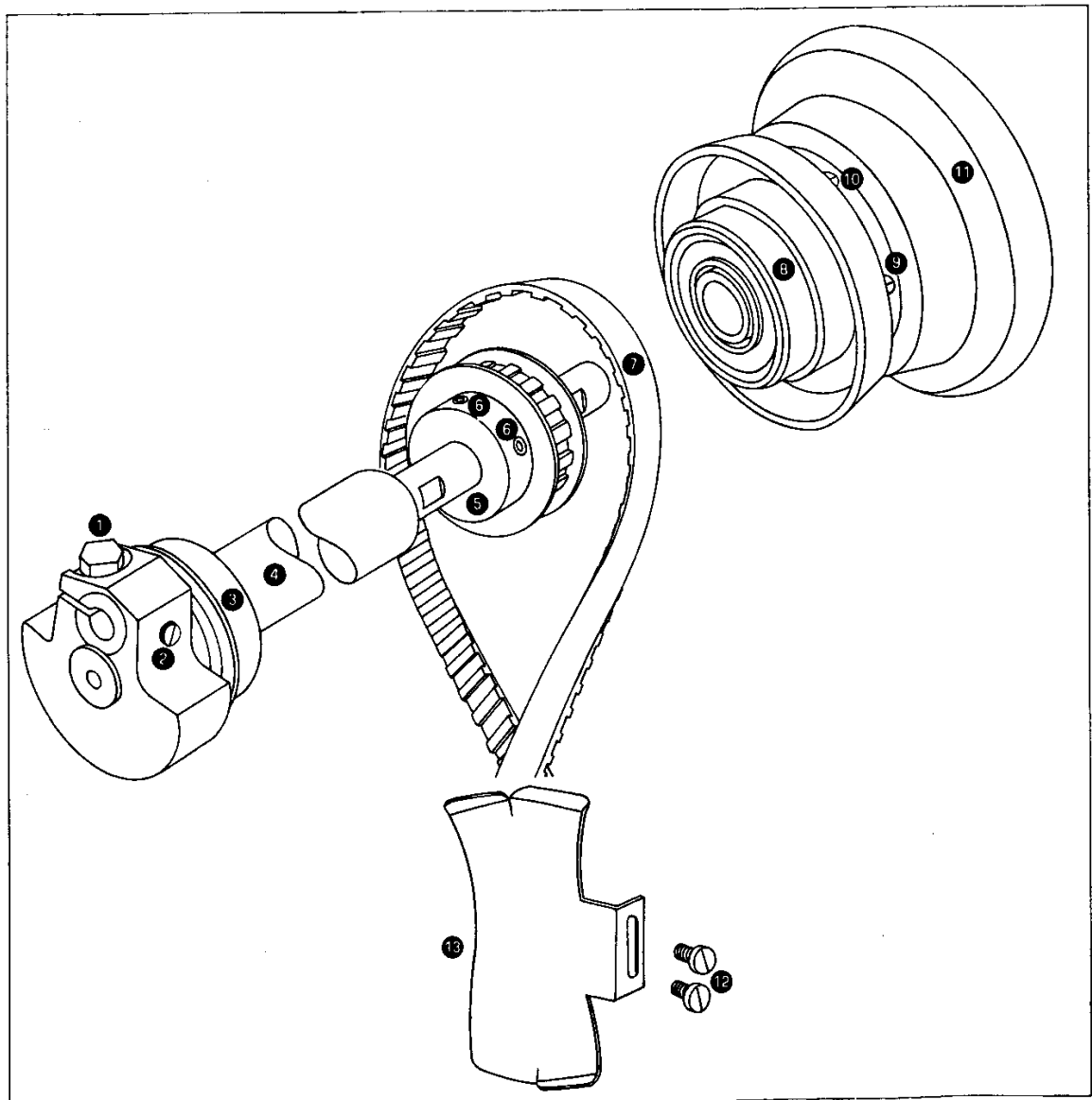
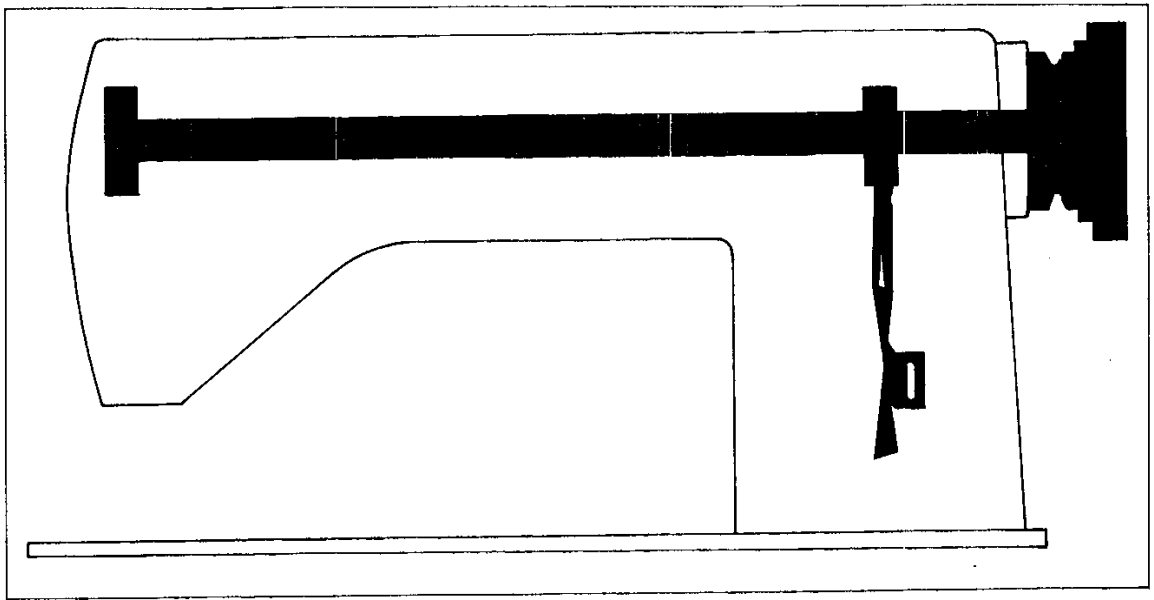


Singer 660

660

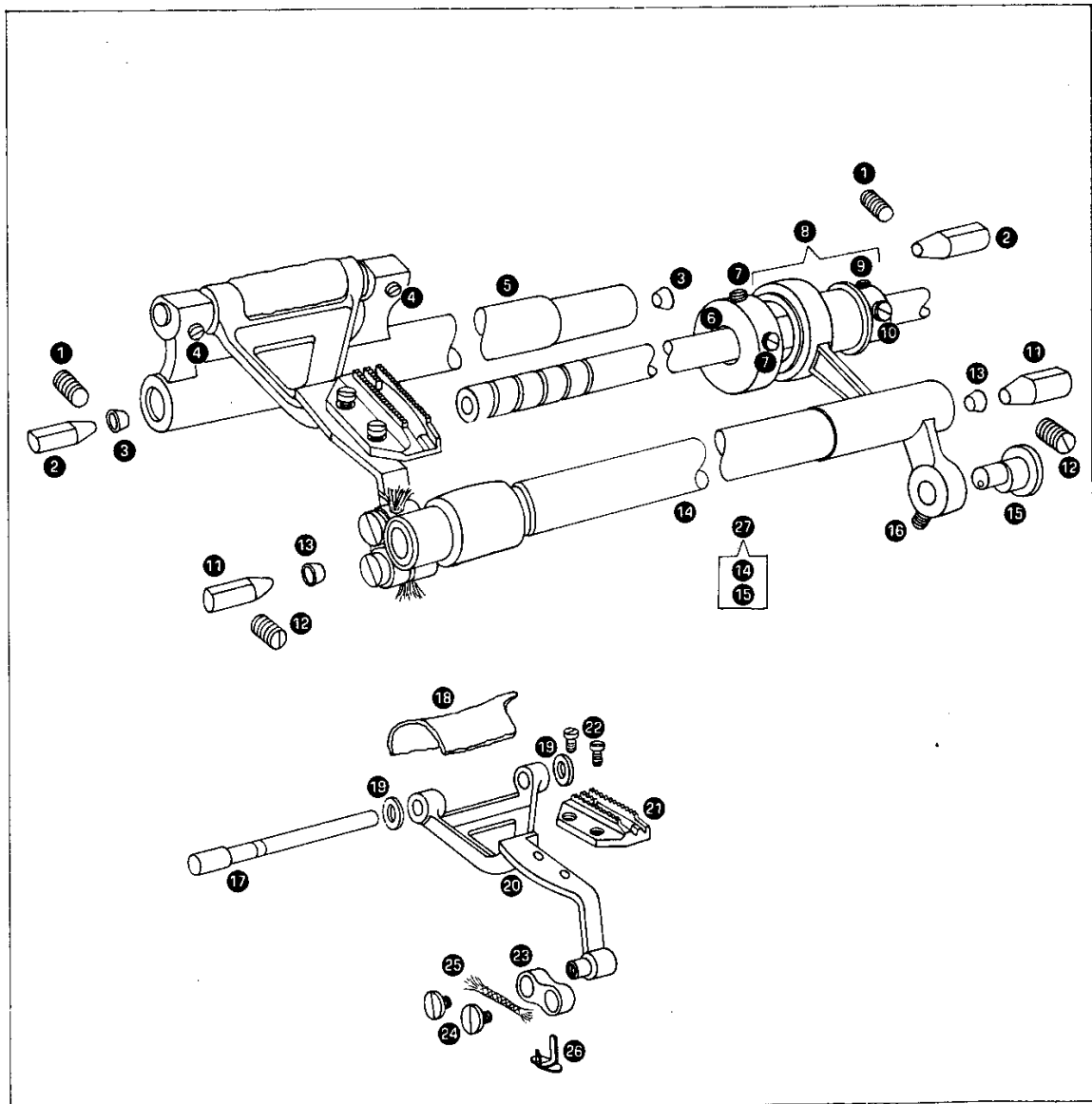
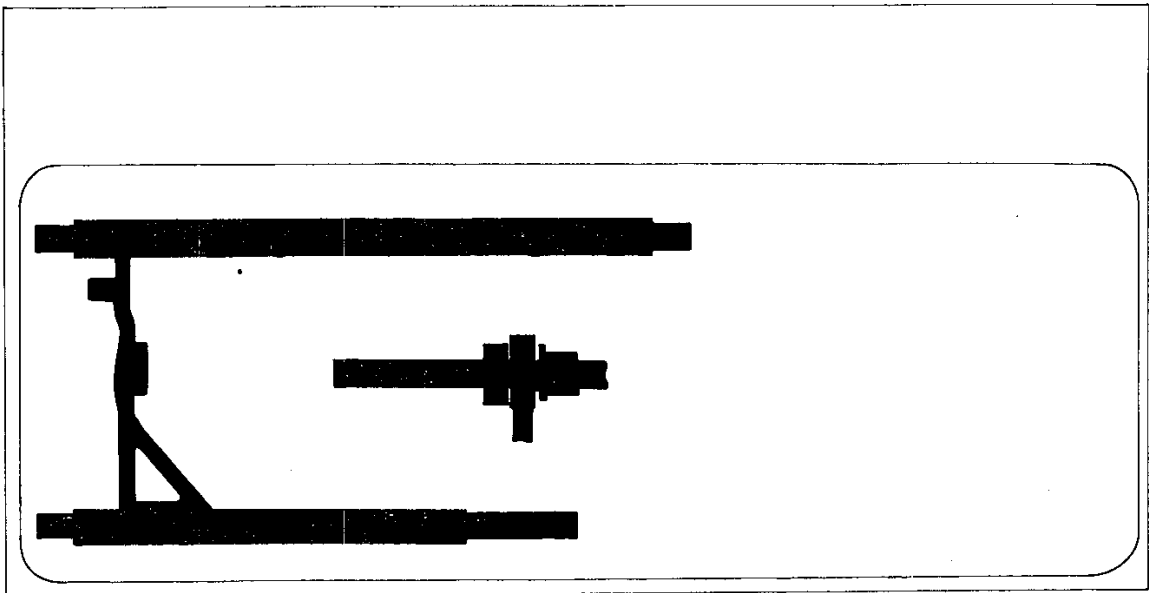
Parts List for 660A1 Machine

Ref. No.	Part No. For Ordering	Description	Amt. Req.
1	140609(803)	Thread Take-up Crank Clamping Screw	
2	1036(803)	Thread Take-up Crank Set Screw	
3	106304	Arm Shaft Ball Bearing (front)	
4	106303	Arm Shaft with Needle Bar Crank also 1036(803) and 140609(803)	
5	106306	Arm Shaft Connection Belt Pulley with two 114063(869)	
6	114063(869)	Arm Shaft Connection Belt Pulley Set Screw	2
7	106305	Arm Shaft Connection Belt	
8	106304	Arm Shaft Ball Bearing (back)	
9	141566(803)	Machine Pulley Position Screw	
10	141567(803)	Machine Pulley Set Screw	
11	106323	Machine Pulley with 106304, 141566(803) and 141567(803)	
12	704 (830)	Arm Shaft Connection Belt Separator Screw	2
13	106307	Arm Shaft Connection Belt Separator	



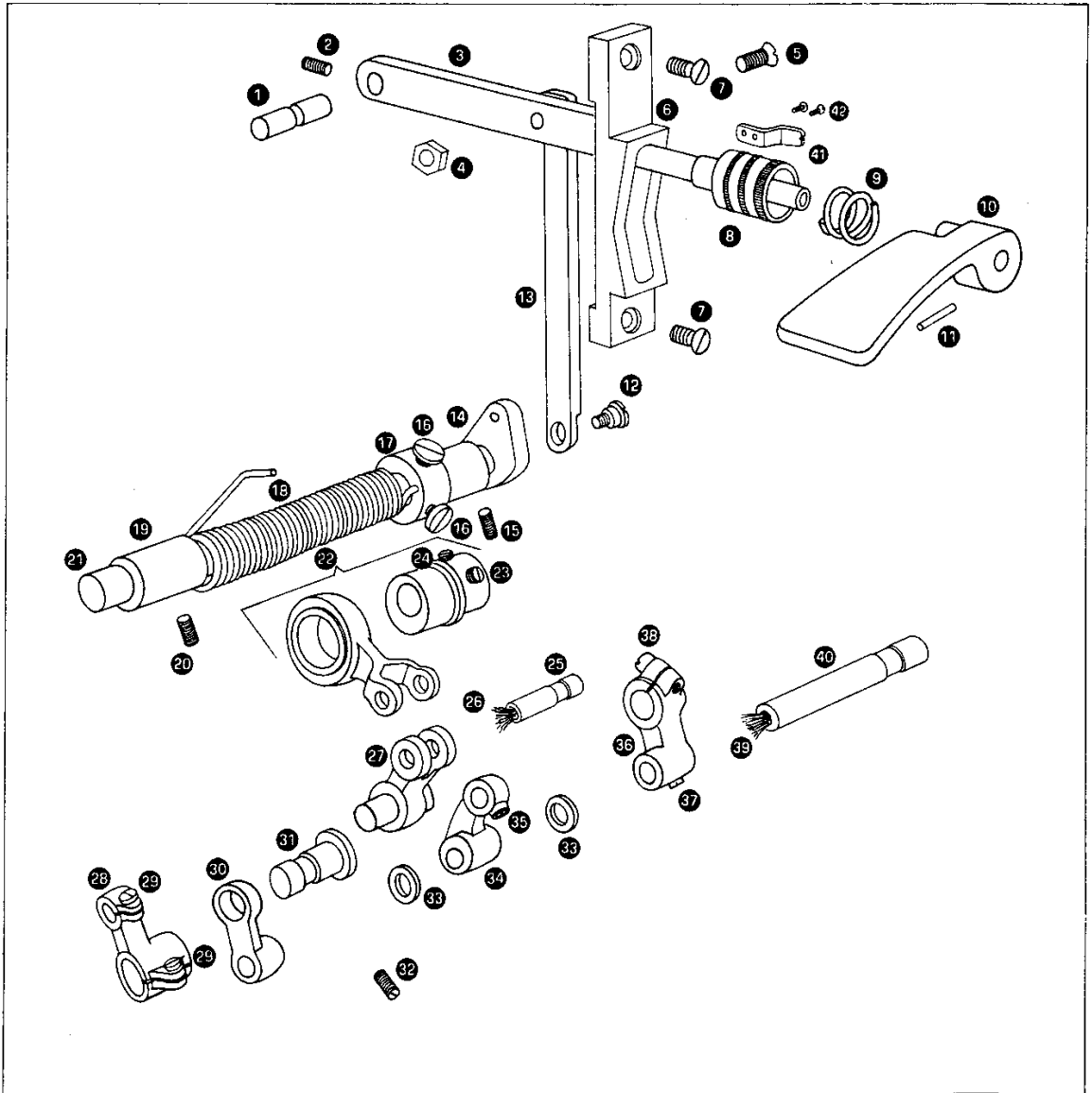
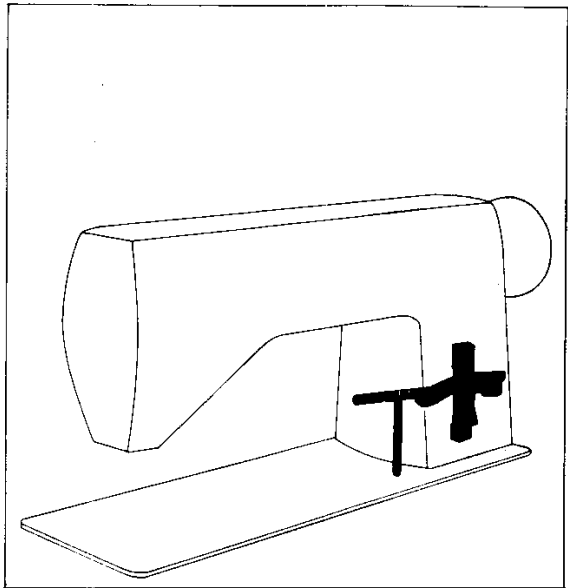
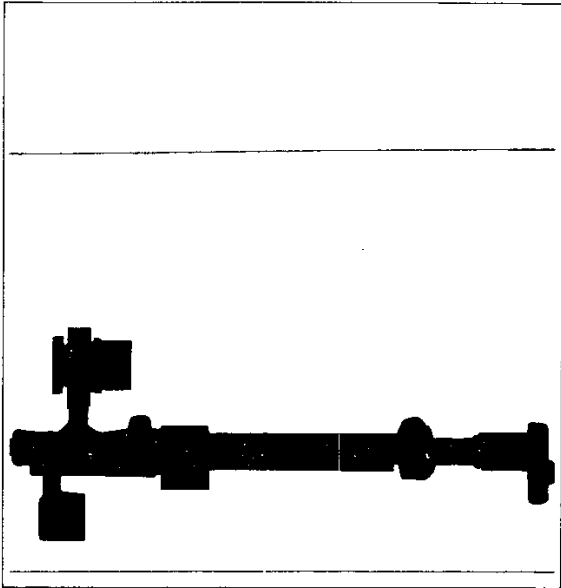
Parts List for 660A1 Machine

Ref No.	Part No. For Ordering	Description	Amt.
1	200346(803)	Feed Driving Rock Shaft Centre Set Screw	2
2	270941	Feed Driving Rock Shaft Centre	2
3	270942	Feed Driving Rock Shaft Centre Insert (nylon)	2
4	200394(803)	Feed Bar Hinge Pin Set Screw	2
5	101984	Feed Driving Rock Shaft with two each 200394(803) and 270942	
6	106313	Feed Lifting Connection Collar with two 443(830)	
7	443(830)	Feed Lifting Connection Collar Set Screw	2
8	106415	Feed Lifting Connection with Feed Lifting Eccentric which includes 200382(830) and 201220(830)	
9	201220(830)	Feed Lifting Eccentric Position Screw	
10	200382(830)	Feed Lifting Eccentric Set Screw	
11	270941	Feed Lifting Rock Shaft Centre	2
12	200346(803)	Feed Lifting Rock Shaft Centre Set Screw	2
13	270942	Feed Lifting Rock Shaft Centre Insert (nylon)	2
14	106315	Feed Lifting Rock Shaft with 350595(830) and two 270942	
15	106314	Feed Lifting Connection Hinge Stud	
16	350595(830)	Feed Lifting Connection Hinge Stud Set Screw	
17	502541	Feed Bar Hinge Pin	
18	101982	Feed Bar Hinge Pin Lubricating Felt.	
19	93930	Feed Bar Hinge Pin Thrust Washer	2
20	93969	Feed Bar	
21	142057	Feed Dog	
22	208(830)	Feed Dog Screw	2
23	272110	Feed Bar Lifting Link	
24	1423(803)	Feed Bar Lifting Link Cap Screw	2
25	272115	Feed Bar Lifting Link Oiling Wick	
26	272111	Feed Bar Lifting Link Oiling Wick Clamp	
27	106316	Feed Lifting Rock Shaft 106315 with 106314	



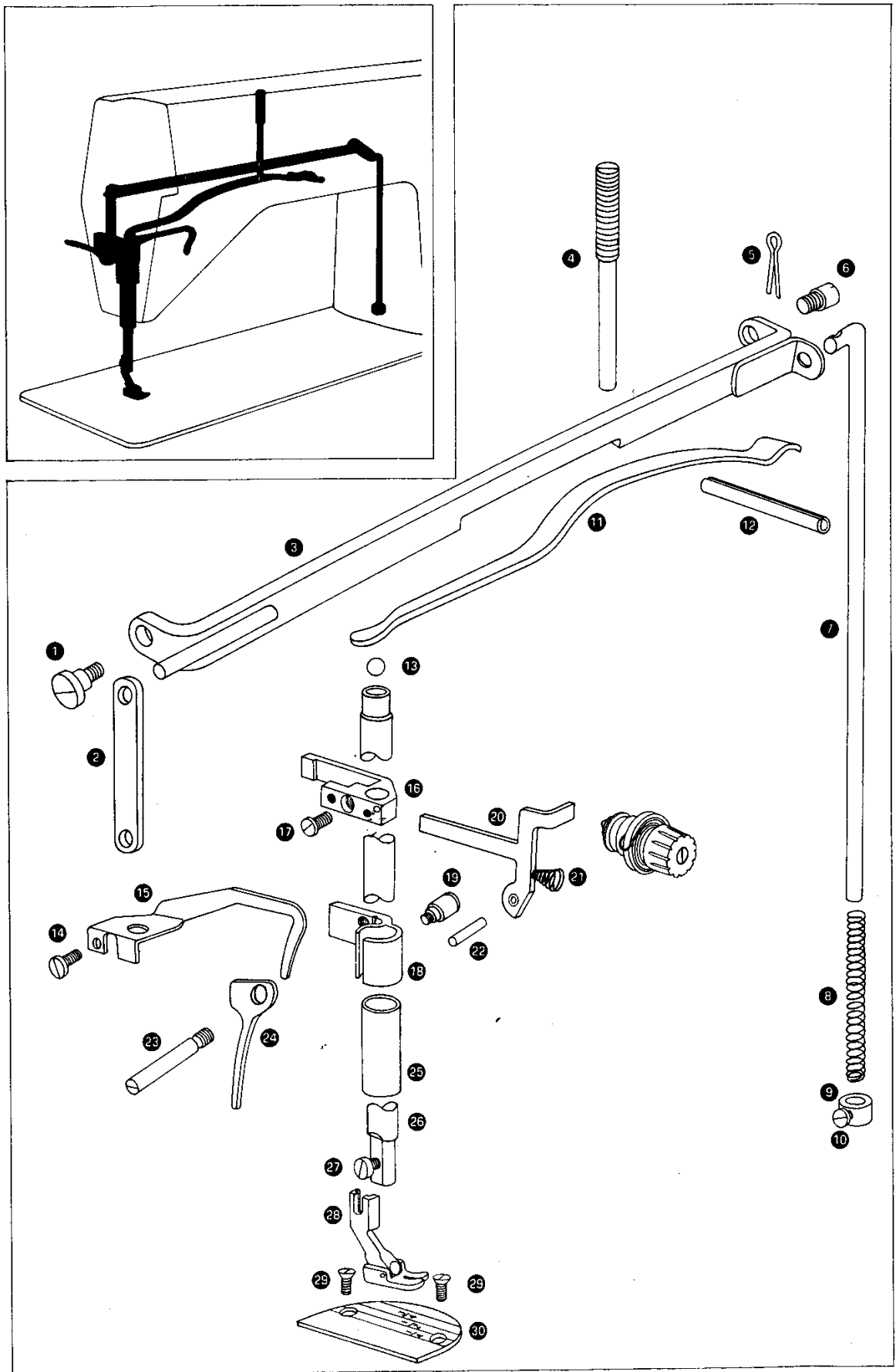
Parts List for 660A1 Machine

Ref. No.	Part No. For Ordering	Description	Amt. Req.
1	276159	Feed Regulator and Feed Reversing Lever Hinge Pin	
2	350477(803)	Feed Regulator and Feed Reversing Lever Hinge Pin Set Screw	
3	106317	Feed Regulator and Feed Reversing Lever	
4	201520(813)	Feed Regulator and Feed Reversing Lever Connection Hinge Screw (upper) Nut	
5	350509(803)	Feed Regulator and Feed Reversing Lever Connection Hinge Screw (upper)	
6	106344	Stitch Indicator Block	
7	742(809)	Stitch Indicator Block Screw	2
8	113183	Feed Regulator and Feed Reversing Lever Thumb Nut	
9	106321	Feed Regulator and Feed Reversing Lever Handle Spring	
10	106319	Feed Regulator and Feed Reversing Lever Handle	
11	81810	Feed Regulator and Feed Reversing Lever Handle Retaining Pin	
12	201107(803)	Feed Regulator and Feed Reversing Lever Connection Hinge Screw (lower)	
13	106318	Feed Regulator and Feed Reversing Lever Connection	
14	276162	Feed Reversing Shaft Bushing (back)	
15	200382(830)	Feed Reversing Shaft Bushing (back) Set Screw	
16	200092(806)	Feed Reversing Shaft Spring Adjusting Collar Set Screw	2
17	276167	Feed Reversing Shaft Spring Adjusting Collar with two 200092(806)	
18	276166	Feed Reversing Shaft Spring	
19	276179	Feed Reversing Shaft Bushing (front)	
20	200362(830)	Feed Reversing Shaft Bushing (front) Set Screw	
21	276161	Feed Reversing Shaft	
22	106413	Feed Driving Connection with Feed Driving Eccentric, also with 1259(830) and 109768(833)	
23	1259(833)	Feed Driving Eccentric Set Screw	
24	109768(833)	Feed Driving Eccentric Position Screw	
25	276171	Feed Driving Connection Link Hinge Pin with 244071	
26	244071	Feed Driving Connection Link Hinge Pin Oil Packing (Wick)	
27	106414	Feed Driving Connection Link	
28	106419	Feed Driving Connection Crank with 141207(805)	
29	141207(805)	Feed Driving Connection Crank Pinch Screw	2
30	16478	Feed Reverse Mechanism Support Link	
31	16479	Feed Reverse Mechanism Support Stud	
32	200362(830)	Feed Reverse Mechanism Support Stud Set Screw	
33	16487	Feed Reversing Shaft Crank and Feed Driving Connection Connecting Link Wearing Disc	2
34	16486	Feed Reversing Shaft Crank and Feed Driving Connection Connecting Link with 114044(830)	
35	114044(830)	Feed Driving Connection Link Hinge Pin Set Screw	
36	16483	Feed Reversing Shaft Link with 458(830) and 141207(805)	
37	458(830)	Feed Reversing Shaft link Hinge Stud Set Screw	
38	141207(805)	Feed Reversing Shaft Link Pinch Screw	
39	276046	Feed Reversing Shaft Link Hinge Stud Oil Packing (Wick)	
40	276164	Feed Reversing Shaft Link Hinge Stud with 276046	
41	16472	Stitch Indicator	
42	51369(809)	Stitch Indicator Screw	2



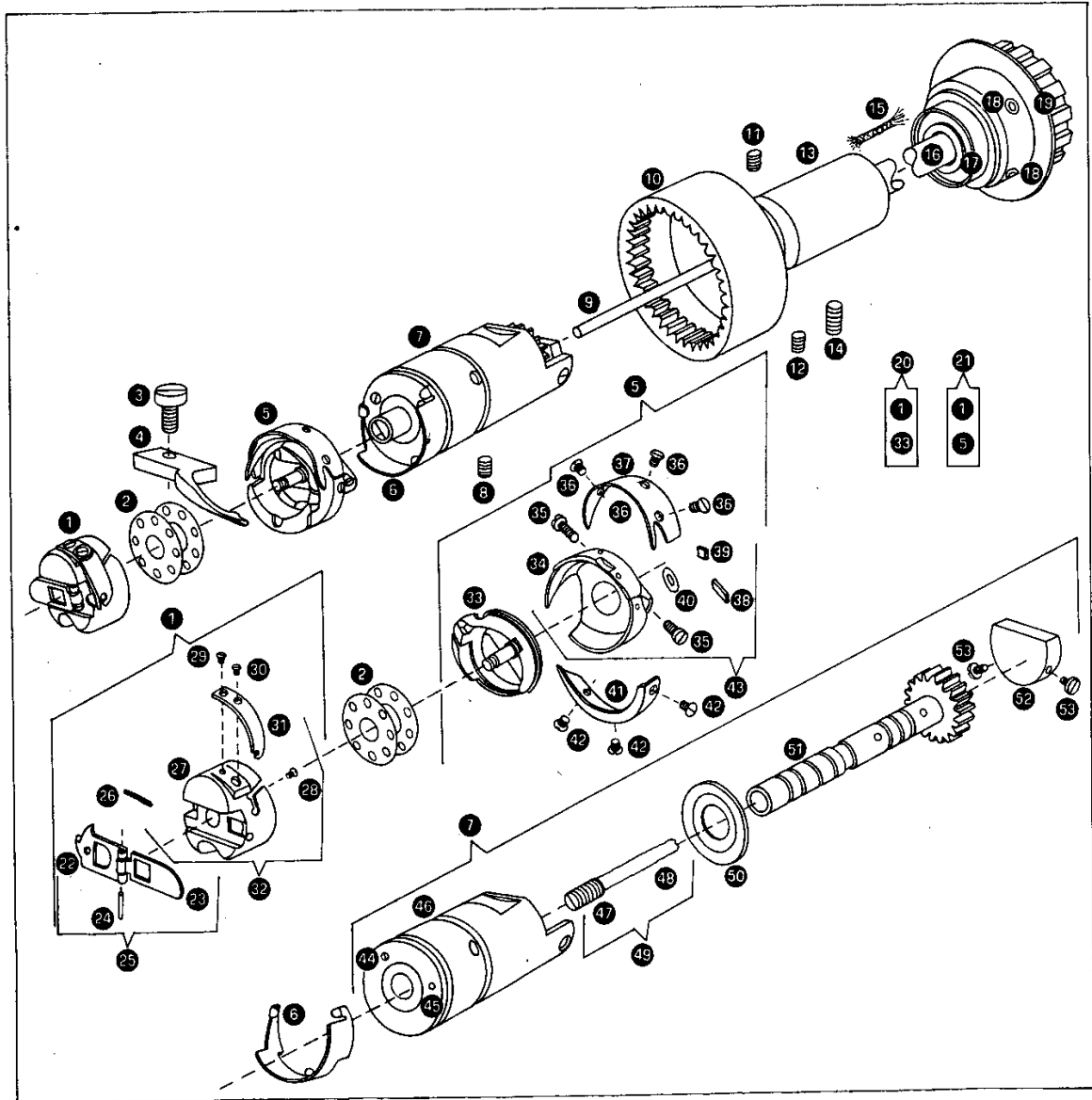
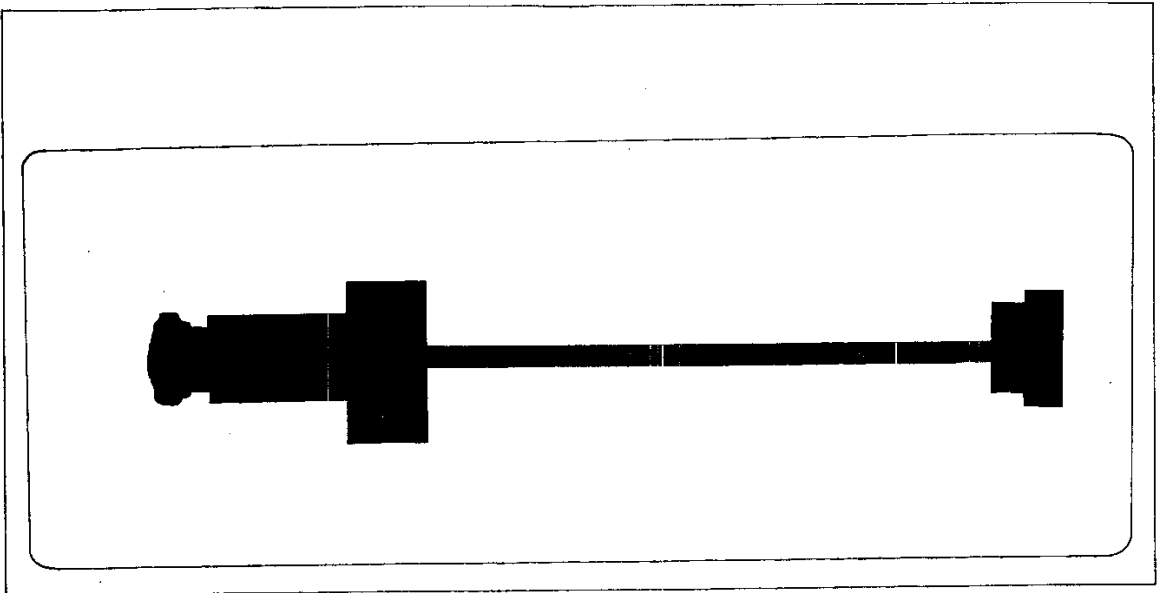
Parts List for 660A1 Machine

Ref. No.	Part No. For Ordering	Description	Amt. Req.
1	200272(833)	Knee Lifter Rock Frame Hinge Screw (front)	
2	270256	Knee Lifter Lifting Link	
3	276109	Knee Lifter Rock Frame	
4	350435(803)	Presser Bar Spring Screw (pressure regulating)	
5	202302	Knee Lifter Lifting Rod Cotter Pin	
6	200679(806)	Knee Lifter Rock Frame Hinge Screw (back)	
7	276015	Knee Lifter Lifting Rod with 202302	
8	276016	Knee Lifter Lifting Rod Spring	
9	227227	Knee Lifter Lifting Rod Spring Collar with 200113(806)	
10	200113(806)	Knee Lifter Lifting Rod Spring Collar Set Screw	
11	106336	Presser Bar Spring	
12	106394	Presser Bar Spring Locating Pin (roll pin)	
13	276025	Presser Bar Ball	
14	190(809)	Slack Thread Regulator Screw	
15	106342	Slack Thread Regulator	
16	106335	Presser Bar Position Guide with 158(803)	
17	158(803)	Presser Bar Position Guide Pinch Screw	
18	276028	Presser Bar Lifting Releasing Lever Bracket	
19	114065(830)	Knee Lifter Link Hinge Screw	
20	106345	Tension Releasing Lever	
21	12329	Tension Releasing Lever Spring	
22	12398	Tension Releasing Lever Hinge Pin	
23	350442(803)	Presser Bar Lifter Hinge Screw	
24	276117	Presser Bar Lifter	
25	276536	Presser Bar Bushing	
26	276241	Presser Bar with 176(809)	
27	176(809)	Presser Foot Screw	
28	161066	Presser Foot	
29	691(806)	Throat Plate Screw	2
30	147158	Throat Plate	



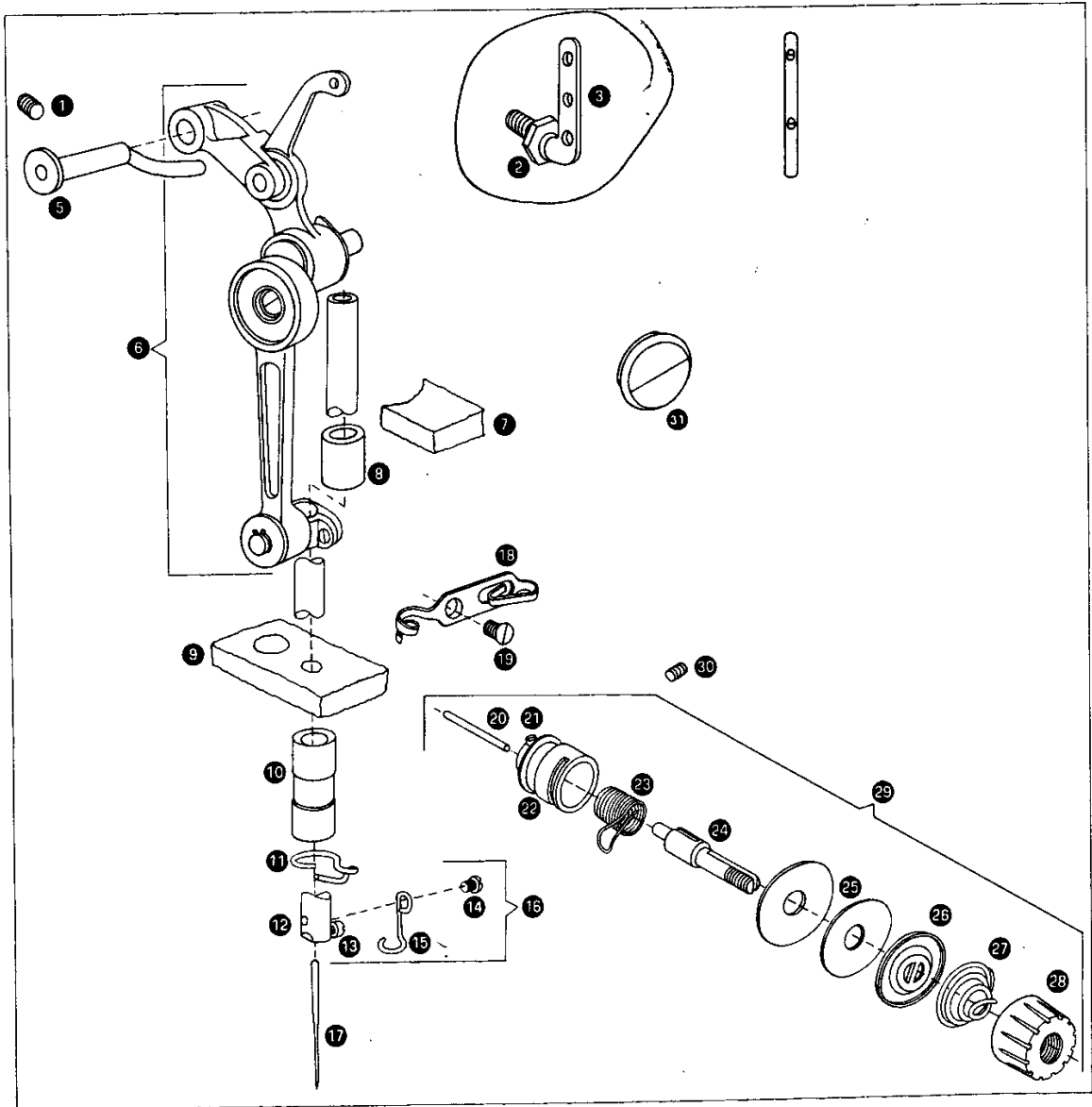
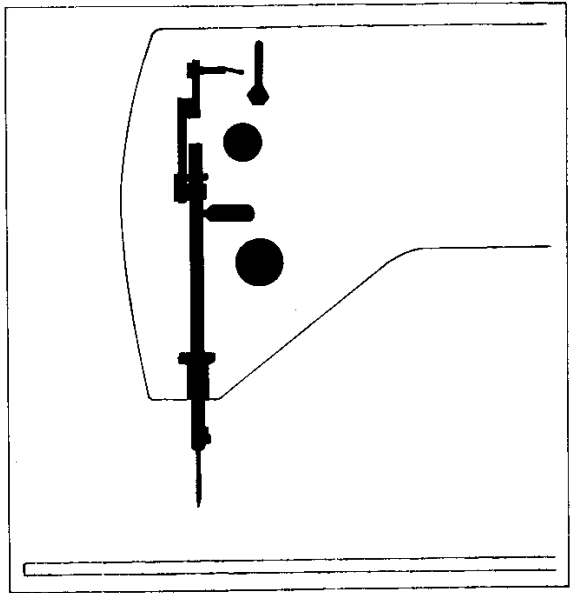
Parts List for 660A1 Machine

Ref. No.	Part No. For Ordering	Description	Amt. Req.
1	149063	Rotating Hook Bobbin Case complete Nos. 592(805), 2975, 40393 and 149061	
2	270010	Rotating Hook Bobbin	
3	200077(804)	Rotating Hook Bobbin Case Holder Position Bracket Screw	
4	272131	Rotating Hook Bobbin Case Holder Position Bracket	
5	174091	Rotating Hook 174090 with 143346, 270876 and three 1367(805)	
6	270879	Rotating Hook Oil Guard	
7	272229	Rotating Hook Shaft Bushing complete, Nos. 270044, 270164, 270880, 272228 276059, 276062, 350498(805) and two 201215(804)	
8	200346(803)	Rotating Hook Shaft Bushing Set Screw	
9	270036	Rotating Hook Driving Shaft Oil Lead Wire	
10	276047	Rotating Hook Driving Shaft Gear (internal teeth) with 200382(833) and 201220(833)	
11	201220(833)	Rotating Hook Driving Shaft Gear Position Screw	
12	200382(833)	Rotating Hook Driving Shaft Gear Set Screw	
13	276045	Rotating Hook Driving Shaft Bushing with 276046	
14	200346(803)	Rotating Hook Driving Shaft Bushing Set Screw	
15	276046	Rotating Hook Driving Shaft Bushing Oil Packing (wick)	
16	106429	Rotating Hook Driving Shaft	
17	272144	Rotating Hook Driving Shaft Ball Bearing	
18	114063(869)	Rotating Hook Driving Shaft Connection Belt Pulley Set Screw	2
19	106380	Rotating Hook Driving Shaft Connection Belt Pulley with two 114063(869)	
20	107563	Rotating Hook Bobbin Case 149063 with 143346	
21	107560	Rotating Hook 174091 with 149063	
22	40392	Rotating Hook Bobbin Case Latch	
23	125320	Rotating Hook Bobbin Case Latch Lever	
24	2974	Rotating Hook Bobbin Case Latch Lever Fulcrum Pin	
25	40393	Rotating Hook Bobbin Case Hinge, Nos. 2974, 40392 and 125320	
26	2975	Rotating Hook Bobbin Case Latch Spring	
27	149060	Rotating Hook Bobbin Case	
28	592(805)	Rotating Hook Bobbin Case Latch Stop Screw	
29	1380(805)	Rotating Hook Bobbin Case Tension Spring Screw	
30	591(806)	Rotating Hook Bobbin Case Tension Spring Regulating Screw	
31	40394	Rotating Hook Bobbin Case Tension Spring	
32	149061	Rotating Hook Bobbin Case 149060 with 591(806), 1380(805) and 40394	
33	143346	Rotating Hook Bobbin Case Holder	
34	174089	Rotating Hook with 143301, 270878 and two 1253(830)	
35	1253(830)	Rotating Hook Set Screw	2
36	1053(805)	Rotating Hook Thread Guard Screw	4
37	270874	Rotating Hook Thread Guard	
38	143351	Rotating Hook Wiper	
39	143301	Rotating Hook Oil Wick (felt)	
40	270878	Rotating Hook Oil Retaining Washer (felt)	
41	270876	Rotating Hook Section	
42	1367(805)	Rotating Hook Section Screw	3
43	174090	Rotating Hook 174089 with 143351, 270874(806) and four 1053(805)	
44	350498(805)	Rotating Hook Shaft Oil Regulating Screw	
45	270880	Rotating Hook Shaft Bushing Oil Packing (wick)	
46	272228	Rotating Hook Shaft Bushing	
47	276061	Rotating Hook Shaft Oil Filter Wick Holder	
48	202423	Rotating Hook Shaft Oil Filter Wick	
49	276062	Rotating Hook Shaft Filter, complete, Nos. 202423 and 276061	
50	270044	Rotating Hook Shaft Thrust Washer	
51	276059	Rotating Hook Shaft	
52	270164	Rotating Hook Shaft End Bearing	
53	201215(804)	Rotating Hook Shaft End Bearing Screw	2



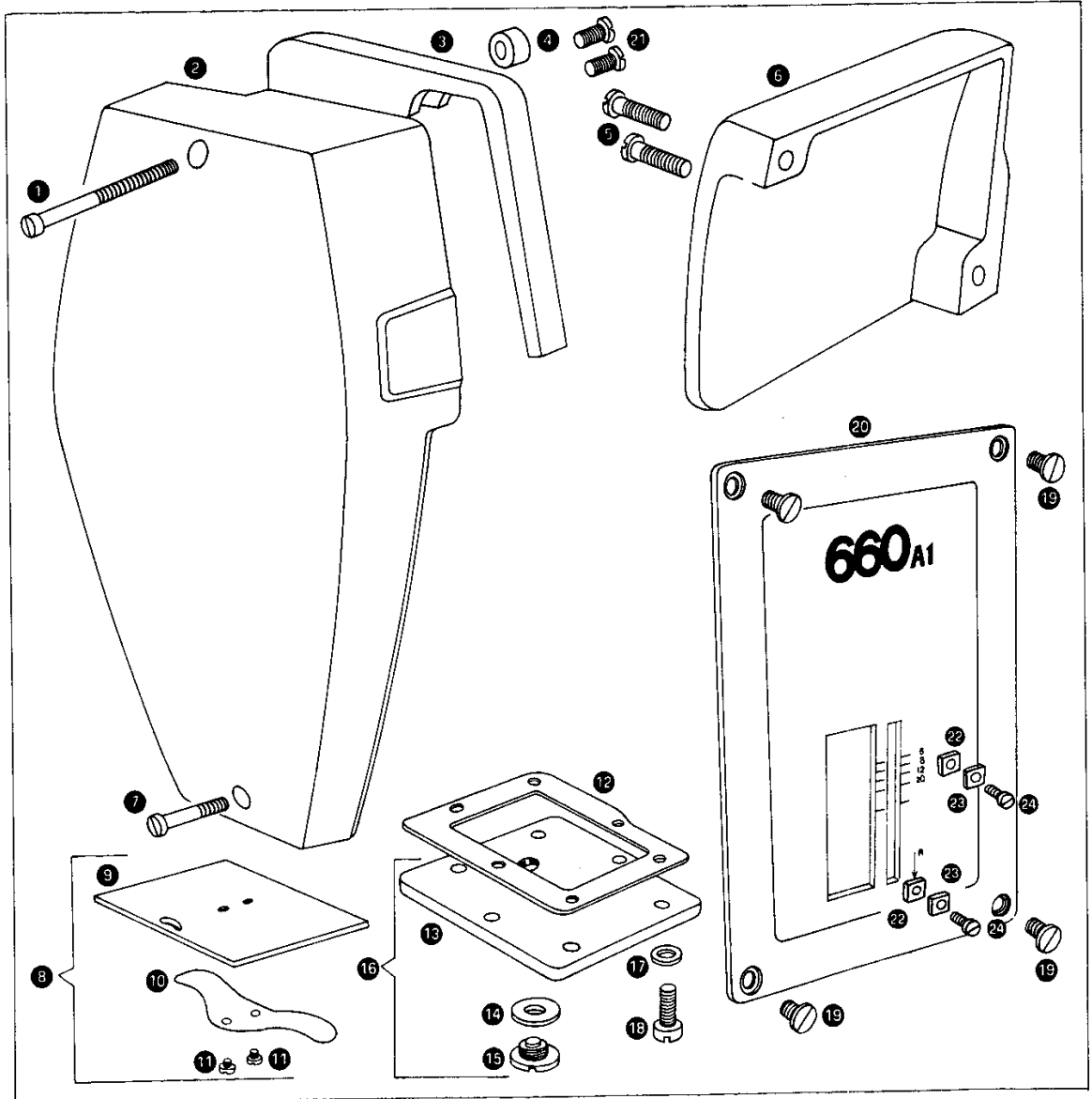
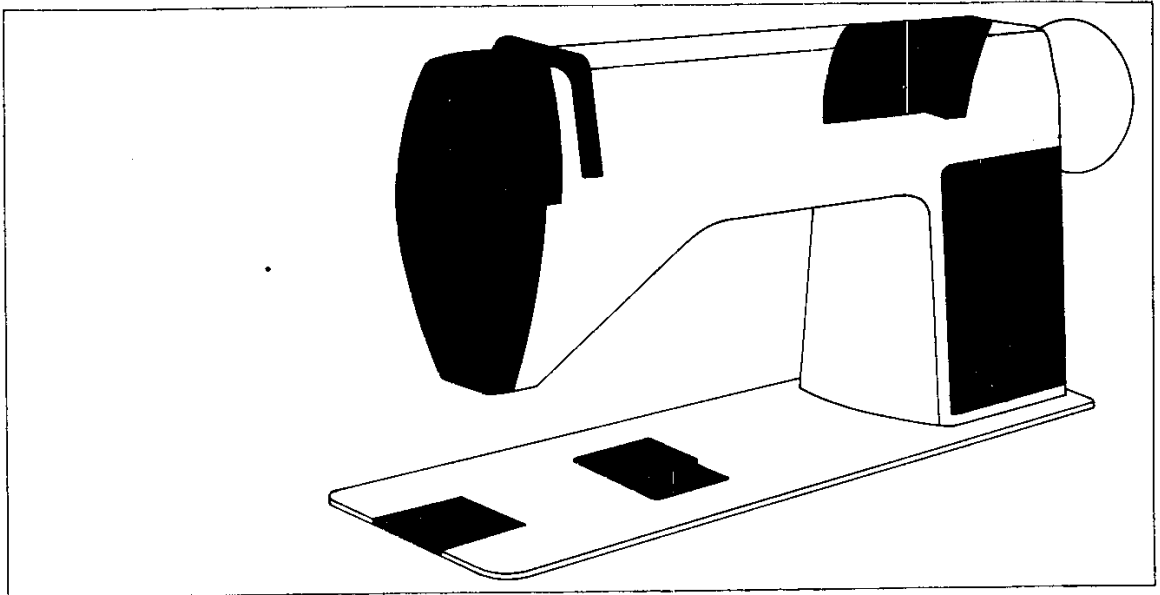
Parts List for 660A1 Machine

Ref. No.	Part No. For Ordering	Description	Amt. Req.
1	435(830)	Thread Take-up Lever Link Hinge Stud Set Screw	
2	1654	Thread Retainer Lock Nut	
3	16377	Thread Retainer	
4	52239	Arm Spool Pin and Thread Eyelet (packed with accessories)	
5	106357	Thread Take-up Lever Link Hinge Stud	
6	106348	Thread Take-up Mechanism	
<p>Note: The major components of the Thread Take-up Mechanism are selectively mated. Therefore only a complete replacement mechanism will be supplied from Clydebank Factory, should any of the individual major components be damaged. However, the Wearing Plate, No. 106349 Nylon Washer, No. 106372, Circlip No. 239241, Cap Screw, No. 140231 and Pinch Screw, No. 140706 can be supplied and fitted as individual items without disturbing the selective mating of the major components.</p>			
7	106397	Needle Bar Oiling Felt (upper)	
8	106325	Needle Bar Bushing (upper)	
9	270058	Needle Bar Oiling Felt (lower)	
10	106424	Needle Bar Bushing (lower)	
11	98923	Needle Bar Bushing (lower) Thread Eyelet	
12	106421	Needle Bar with 140239(830)	
13	140239(830)	Needle Set Screw	
14	140036(830)	Needle Bar Thread Guide Screw	
15	149235-003	Needle Bar Thread Guide	
16	107148	Needle Bar 106421 with 140036(830) and 149235-003	
17	Cat. 1361	Needle, size 14	
18	106346	Thread Eyelet and Thread Guard (front of arm)	
19	51384(809)	Thread Eyelet and Thread Guard (front of arm) Screw	
20	32574	Tension Releasing Pin	
21	50305(803)	Tension Stud Set Screw	
22	52083	Thread Take-up Spring Regulator with 50305(803)	
23	52394	Thread Take-up Spring	
24	140873(803)	Tension Stud	
25	2102	Tension Disc	2
26	147151	Tension Releasing Disc	
27	147152	Tension Spring	
28	106373	Tension Regulating Cap	
29	106374	Tension complete, Nos. 32574, 52083, 52394, 106373, 140873(803), 147151, 147152 and two 2102	
30	448(803)	Thread Take-up Spring Regulator Set Screw	
31	140610(809)	Thread Take-up Crank Clamping Screw Hole Plug Screw	



Parts List for 660A1 Machine

Ref. No.	Part No. For Ordering	Description	Amt. Req.
1	140906(809)	Face Plate Screw (upper)	
2	106309	Face Plate	
3	106353	Thread Take-up Lever Guard	
4	106354	Thread Take-up Lever Guard Distance Piece (nylon)	
5	127(809)	Arm Cover Screw	2
6	106302	Arm Cover	
7	131(809)	Face Plate Screw (lower)	
8	106527-001	Bed Slide 106526-001 with 189625 and two 1208(809)	
9	106526-001	Bed Slide	
10	189625	Bed Slide Spring	
11	1208(809)	Bed Slide Spring Screw	2
12	276491	Rotating Hook Oil Reservoir Cover Gasket	
13	276246	Rotating Hook Oil Reservoir Cover	
14	276245	Rotating Hook Oil Reservoir Drain Plug Gasket	
15	276244	Rotating Hook Oil Reservoir Drain Plug	
16	276247	Rotating Hook Oil Reservoir Cover complete, Nos. 276244 to 276246	
17	272154	Rotating Hook Oil Reservoir Cover Washer	6
18	200041(819)	Rotating Hook Oil Reservoir Cover Screw	6
19	1094(809)	Stitch Indicator Cover Plate Screw	4
20	106343	Stitch Indicator Cover Plate	
21	227 (805)	Thread Take-up Lever Guard Screw	2
22	16373	Stitch Indicator Stop Plate (adjustable, back)	2
23	16374	Stitch Indicator Stop Plate (adjustable, front)	2
24	1492(809)	Stitch Indicator Stop Plate (adjustable, back and front) Clamping Screw	2
The following parts are not illustrated:			
-	106334	Needle Bar Crank Roll Pin	
-	106300	Arm	
-	106301	Arm and Bed	
-	204235	Arm Position Pin	2
-	200004(805)	Arm Screw	4
-	202005	Arm Screw Washer	4
-	106308	Bed	

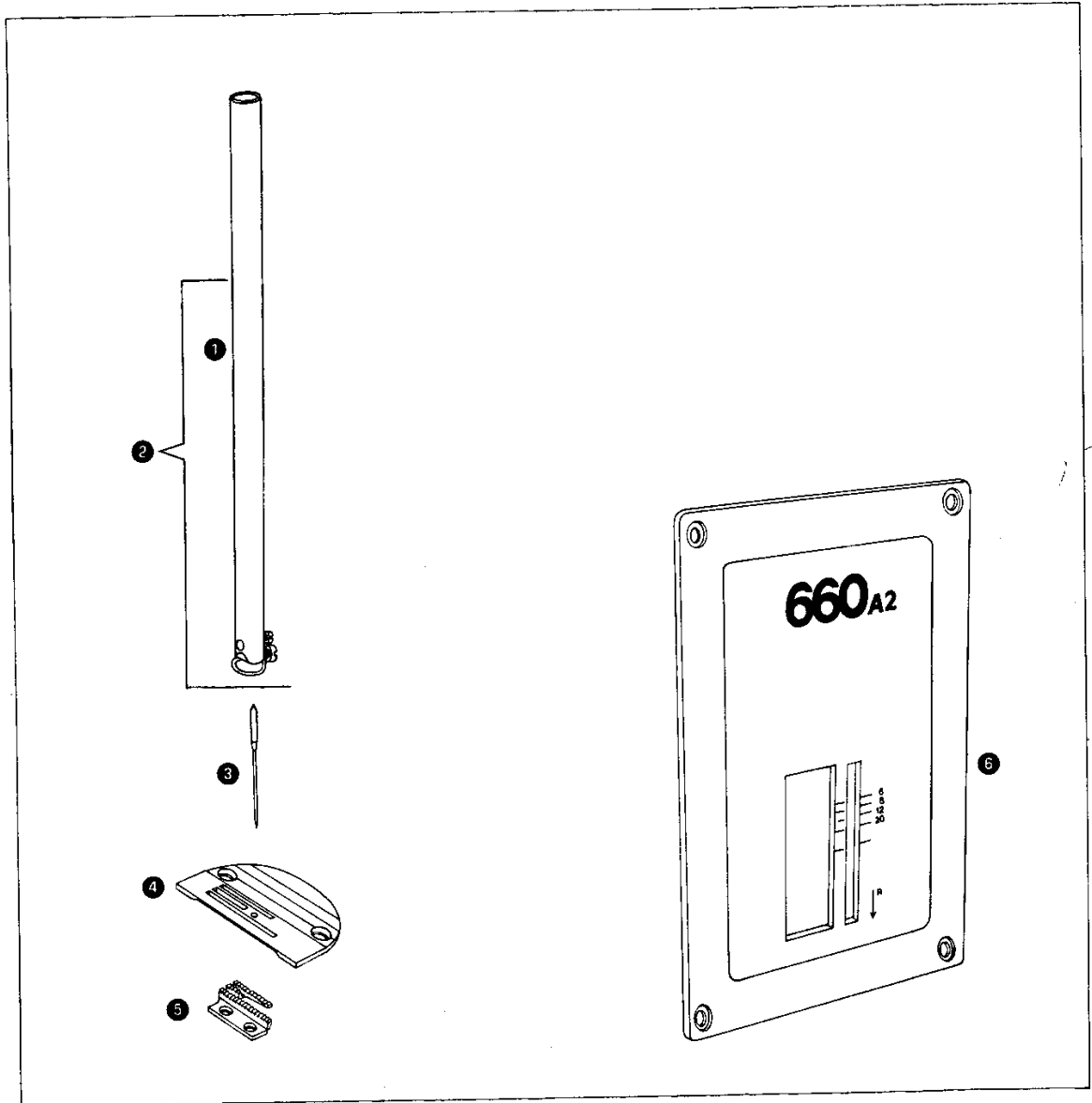
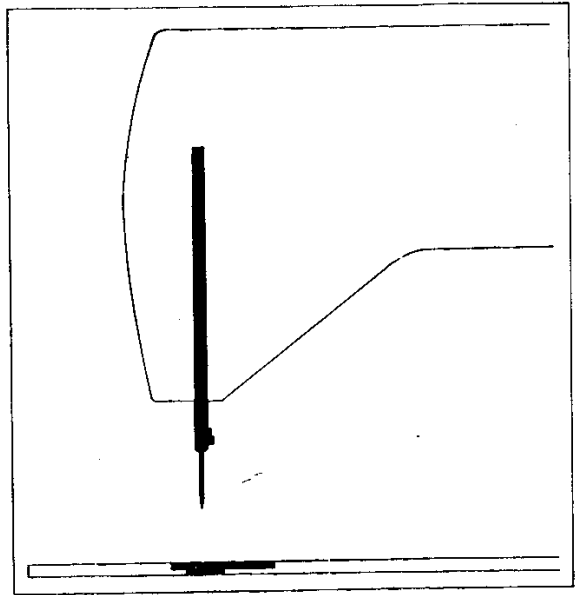


Parts List for 660A2 Machine

The following parts differ from those used on 660A1 Machine.

All other parts are the same.

Ref. No.	Part No. For Ordering	Description	Amt. Req.
1	20823-002	Needle Bar (hollow) with 140239(830)	
2	98773	Needle Bar 20823-002 with 140036(803) and 149235-003	
3	Cat. 1955	Needle, size 19	
4	93542	Throat Plate	
5	93541	Feed Dog	
6	106364	Stitch Indicator Cover Plate	

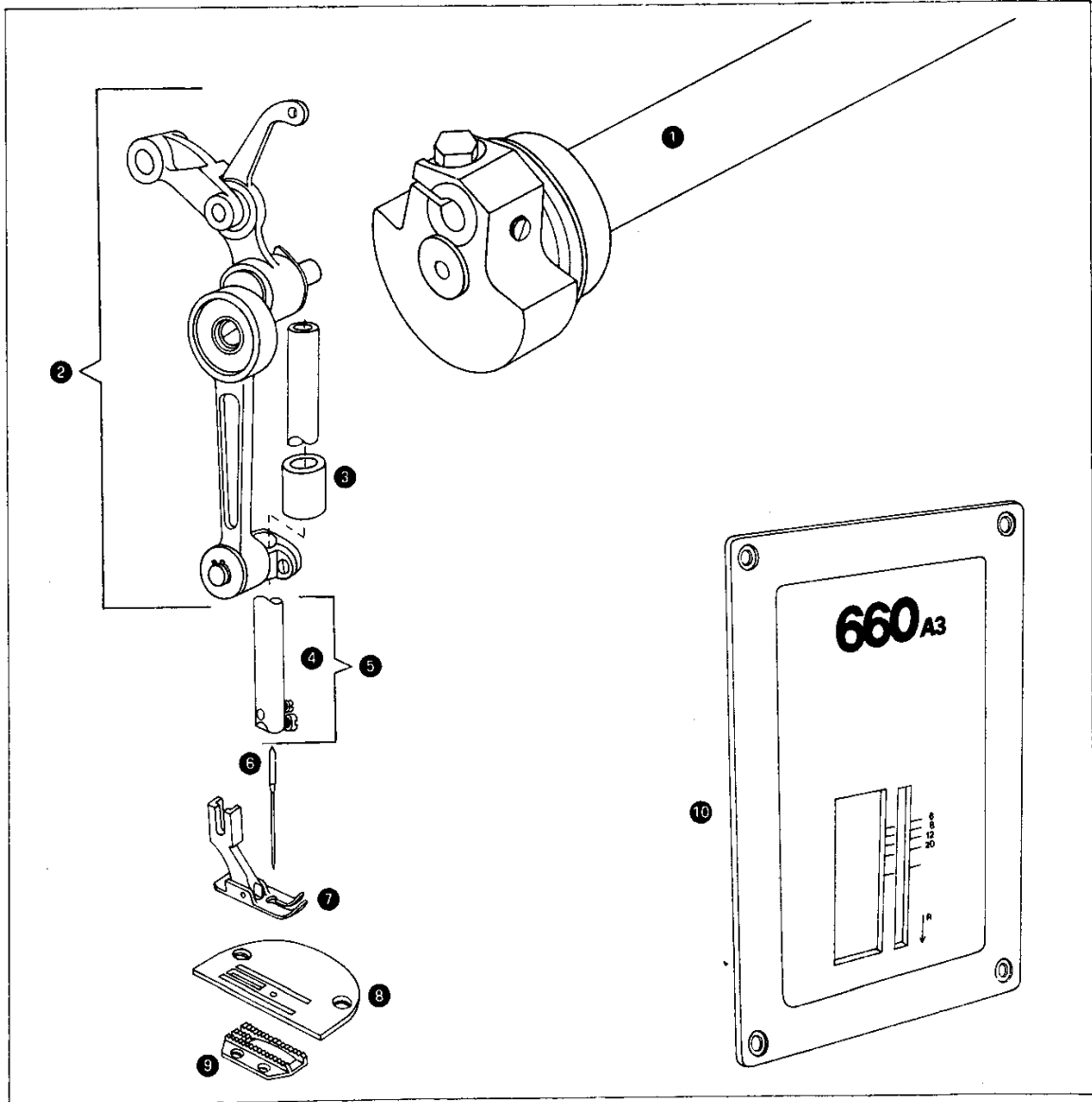
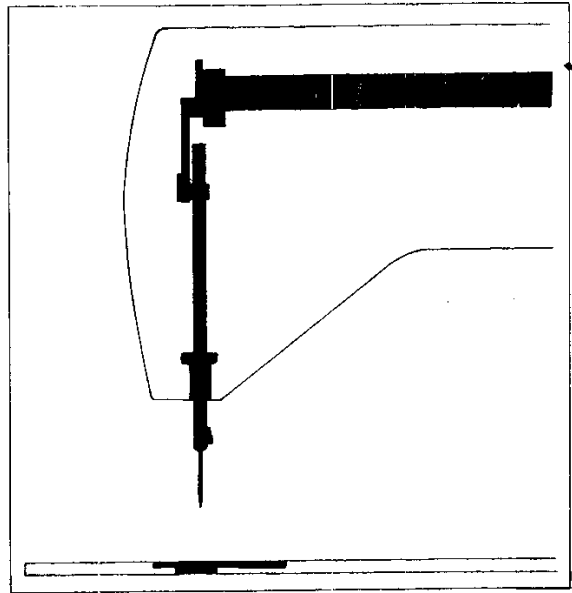


Parts List for 660A3 Machine

The following parts differ from those used on 660A1 Machine.

All other parts are the same.

Ref. No.	Part No. For Ordering	Description	Amt. Req.
1	106362	Arm Shaft with Needle Bar Crank also 1036(803) and 140609(803)	
2	106368	Thread Take-up Mechanism See Note on page 5 under No. 106348	
3	106425	Needle Bar Bushing (lower)	
4	106423	Needle Bar with 140239(830)	
5	107150	Needle Bar 106423 with 140036(830) and 149235-003	
6	Cat. 1955	Needle, size 19	
7	127234	Presser Foot	
8	143175	Throat Plate	
9	143174	Feed Dog	
10	106366	Stitch Indicator Cover Plate	



Accessories for Class 660A Machines

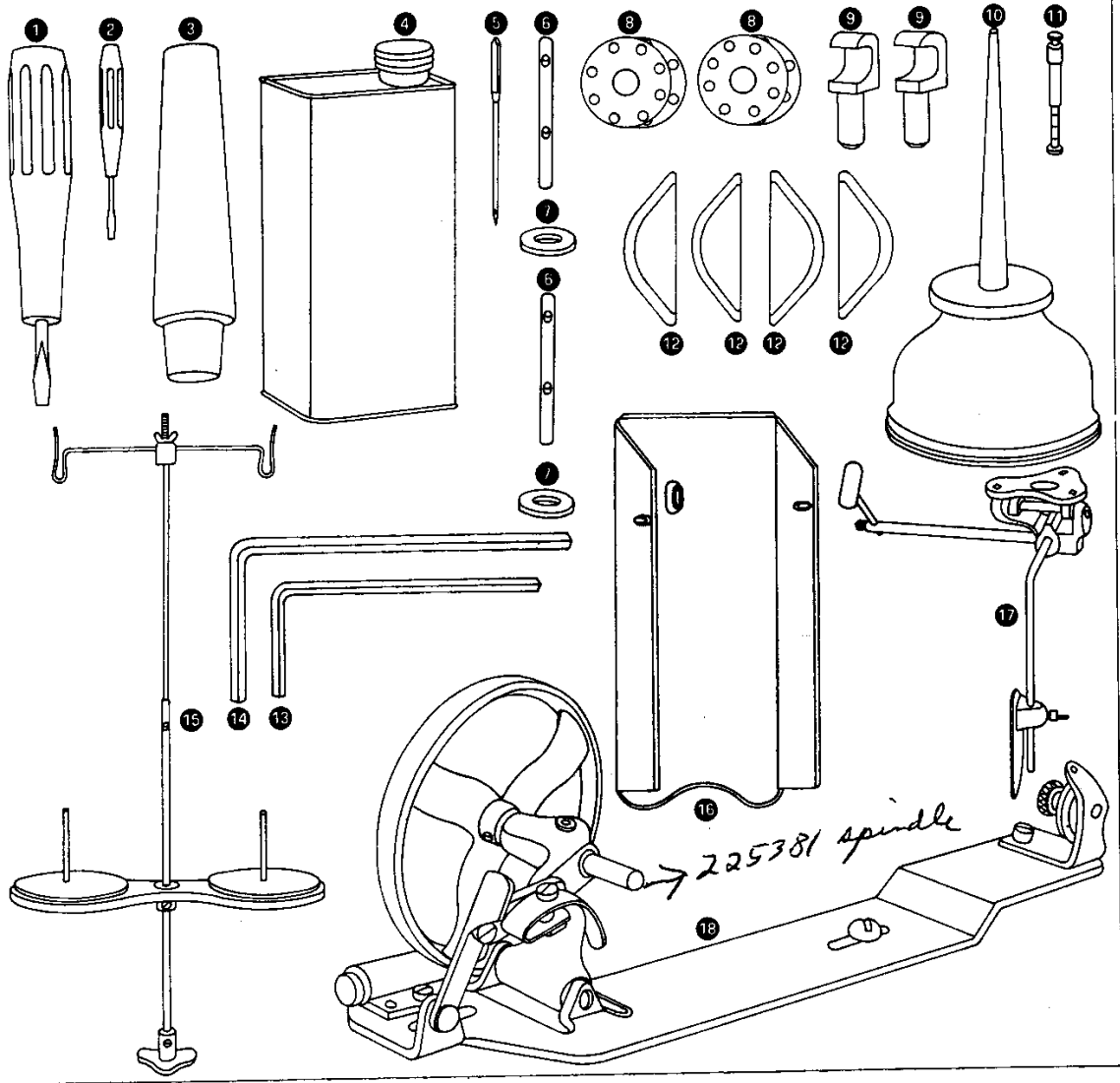
Supplied with machine

Ref. No.	Part No. For Ordering	Description	Amt. Req.
1	161294	Screw driver	
2	161295	Screw driver	
3	41400	Machine Rest Pin (wood)	
4	86698-001	Tin of Oil (½ Pint) Type 'A'	
5	Cat. 1361	Needles, size 16 for 660A1 Machine	6
	Cat. 1955	Needles, size 19, for 660A2 and 660A3 Machines	6
6	52239	Arm Spool Pin and Thread Eyelet	2
7	8879	Arm Spool Pin and Thread Eyelet Washer	2
8	270010	Rotating Hook Bobbin	2
9	12361-001	Machine Hinge Connection	2
10	120342	Oiler	
11	270155	Rotating Hook Oil Reservoir Oil Gauge	
12	151559	Machine Rest Pad	4
13	293-982	Key for 1/16", 1.58 mm Socket Screws	
14	144465	Key for 1/8", 3.17 mm Socket Screws	
15	225258	Thread Unwinder	
16	228479	Drip Pan	48c-4
17	228710	Knee Lifter	
18	104212	Bobbin Winder	4688

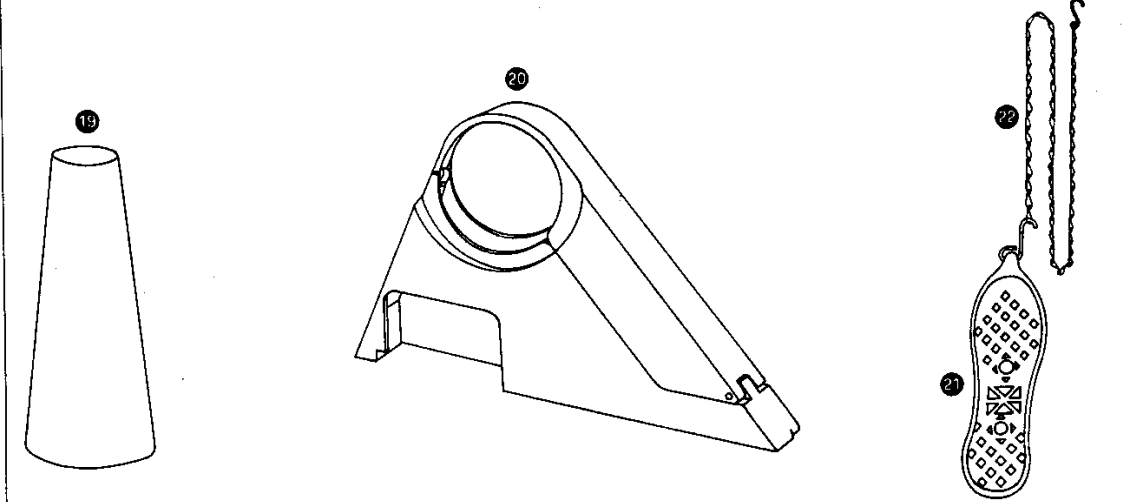
Available at extra charge

19	27739	Thread Unwinder Thread Cone (wood)	
20	503678	Belt Guard (order from Singer Blankenloch Factory, Germany)	
-	228915	Strip Reel (6", 152.4 mm diameter) (not illustrated)	
21	4885	Treadle for foot operated reverse feed.	
22.	6439-004	Chain for foot operated reverse feed.	

Supplied with machine



Available at extra charge



Fittings

The fittings listed on this page represent a few of the more popular feed dog/presser foot/throat plate combinations, many other fittings and combinations from Singer 281-, 291U, 366K and 451K drop feed varieties can be used.

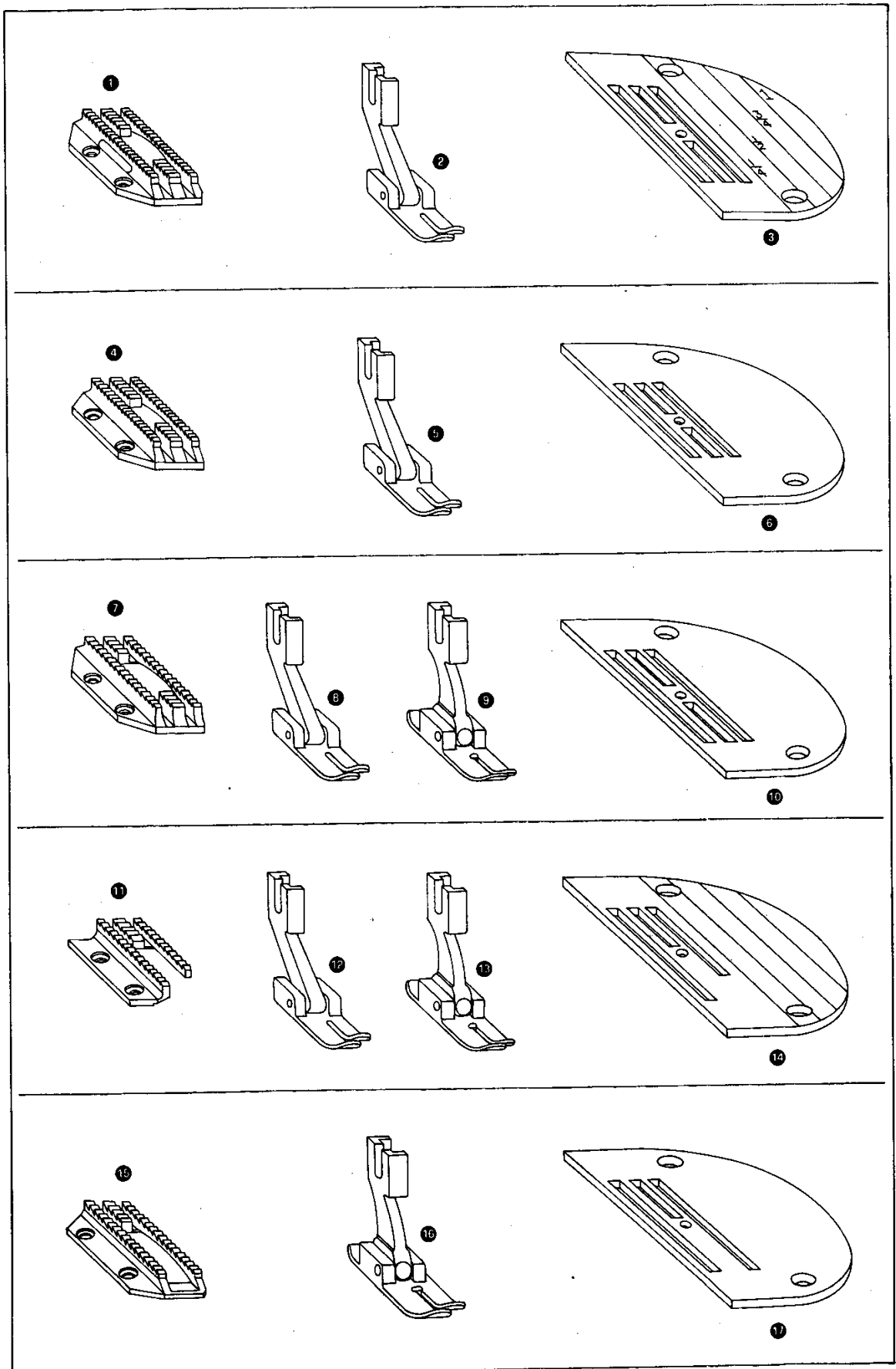
Feed dog	Presser foot	Throat plate	Application
① 142057 21 teeth (22 teeth per inch/25.4mm)	② 161066	⑤ 147158 (small needle hole)	Light weight materials such as shirts, lingerie etc.

④ 52031 19 teeth (22 teeth per inch/25.4mm)	⑤ 161066	⑥ 52033 (small needle hole)	Light weight materials such as shirts, lingerie etc. without chaining.
---	----------	--------------------------------	---

⑦ 143366 16 teeth (16 per inch/25.4mm)	⑧ 161066 or ⑨ 52427	⑩ 270326 (large needle hole)	Medium-heavy weight materials such as suits, mantles, etc.
--	---------------------------	---------------------------------	--

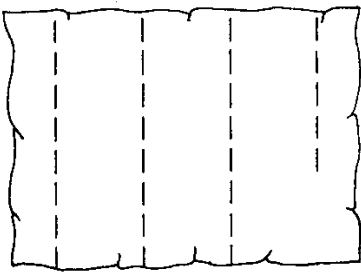
⑪ 93541 17 teeth (16 per inch/25.4mm)	⑫ 161066 or ⑬ 52427	⑭ 93542 (large needle hole)	Medium-heavy weight materials such as suits, mantles, etc.
---	---------------------------	--------------------------------	--

⑮ 143174 17 teeth (14 teeth per inch/25.4mm)	⑯ 127234	⑰ 143175 (large needle hole)	Heavy weight materials such as duffle coats, overalls, heavy overcoats etc.
--	----------	---------------------------------	--

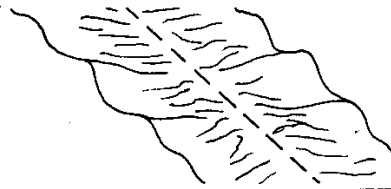
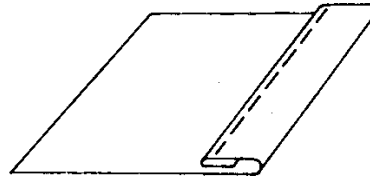


Attachments

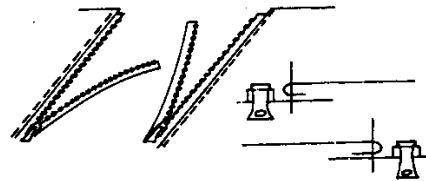
The attachments listed on this page do not represent the entire range of attachments which can be used on Class 660A machines. All attachments used on 281-, 291U, 366K and 451K drop feed varieties can also be used.

Ref.No.	Part No. For Ordering	Description	Application Sketch
(1)	25866	Guide	
(2)	120428	Guide (adjustable)	
(3)	35137	Presser foot with extension and graduated adjustable guides.	
(4)	120485	Quilter	

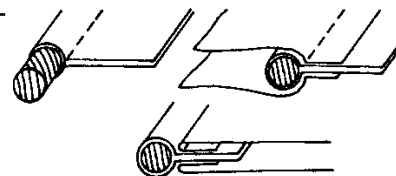
(5)	86539-044	Hemmer foot (flat sole) 1/16 inch (1.58mm) gauge.
	86539-008	Hemmer foot (flat sole) 1/8 inch (3.17mm) gauge.
(6)	86014-001	Hemmer (double end) 1/8 inch - 1/8 inch (3.17mm - 3.17mm) gauge.
	86014-002	Hemmer (double end) 1/8 inch - 3/16 inch (3.17mm) - 4.76mm) gauge.
	86014-003	Hemmer (double end) 1/8 inch - 3/16 inch (4.76mm - 4.76mm) gauge.
	86014-004	Hemmer (double end) 3/16 inch - 1/4 inch (4.76mm - 6.35mm) gauge.
	86014-005	Hemmer (double end) 1/4 inch - 1/4 inch (6.35mm - 6.35mm) gauge.
	86014-006	Hemmer (double end) 5/16 inch - 5/16 inch (7.93mm - 7.93mm) gauge.
(7)	86193	Gathering foot (slotted)



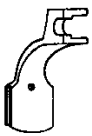
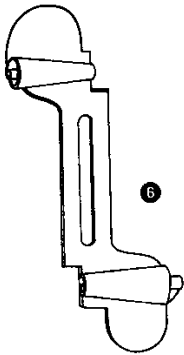
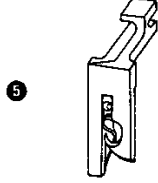
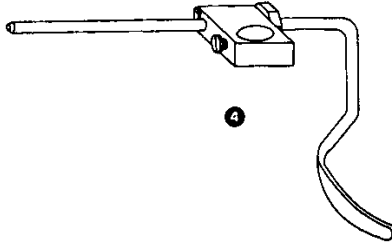
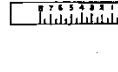
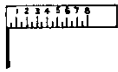
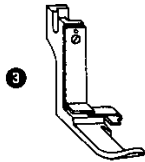
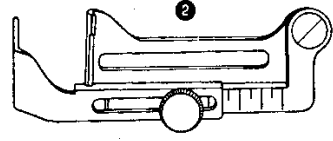
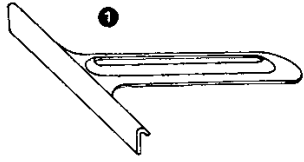
(8)	93830	Zipper foot (left hand)
(9)	93844	Zipper foot (right hand)



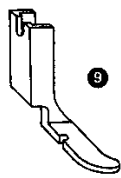
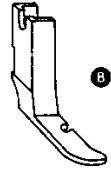
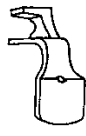
(10)	93831	Piping foot
------	-------	-------------



(11)	98769	Finger Guard
------	-------	--------------



13



18

